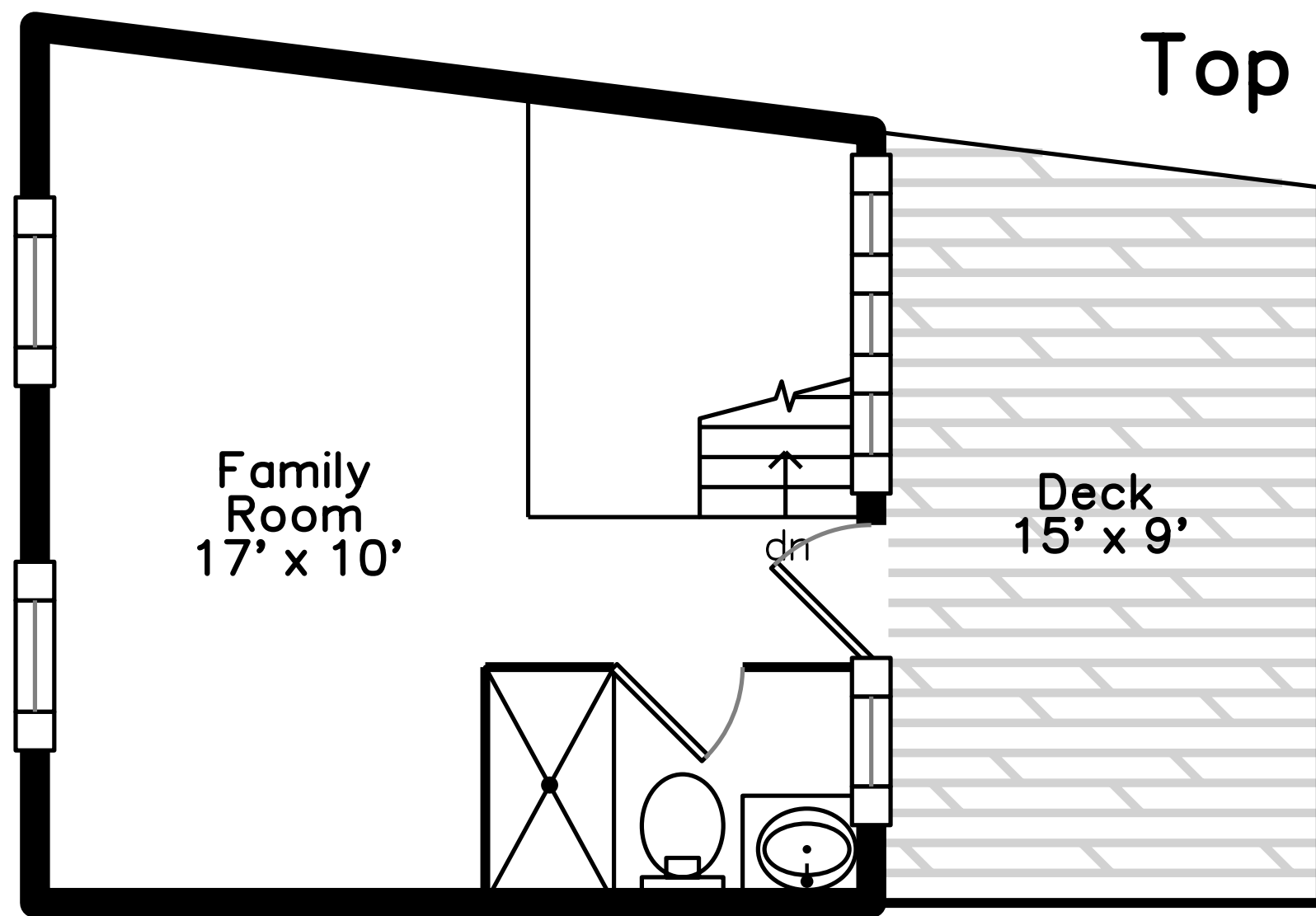


**5 Franklin Street #5A
Boston, MA 02129**

PicturePlan by vis-home

Measurements may not be 100% accurate.
Floor plans are provided for convenience only.
Room sizes are not used to calculate area.

Top

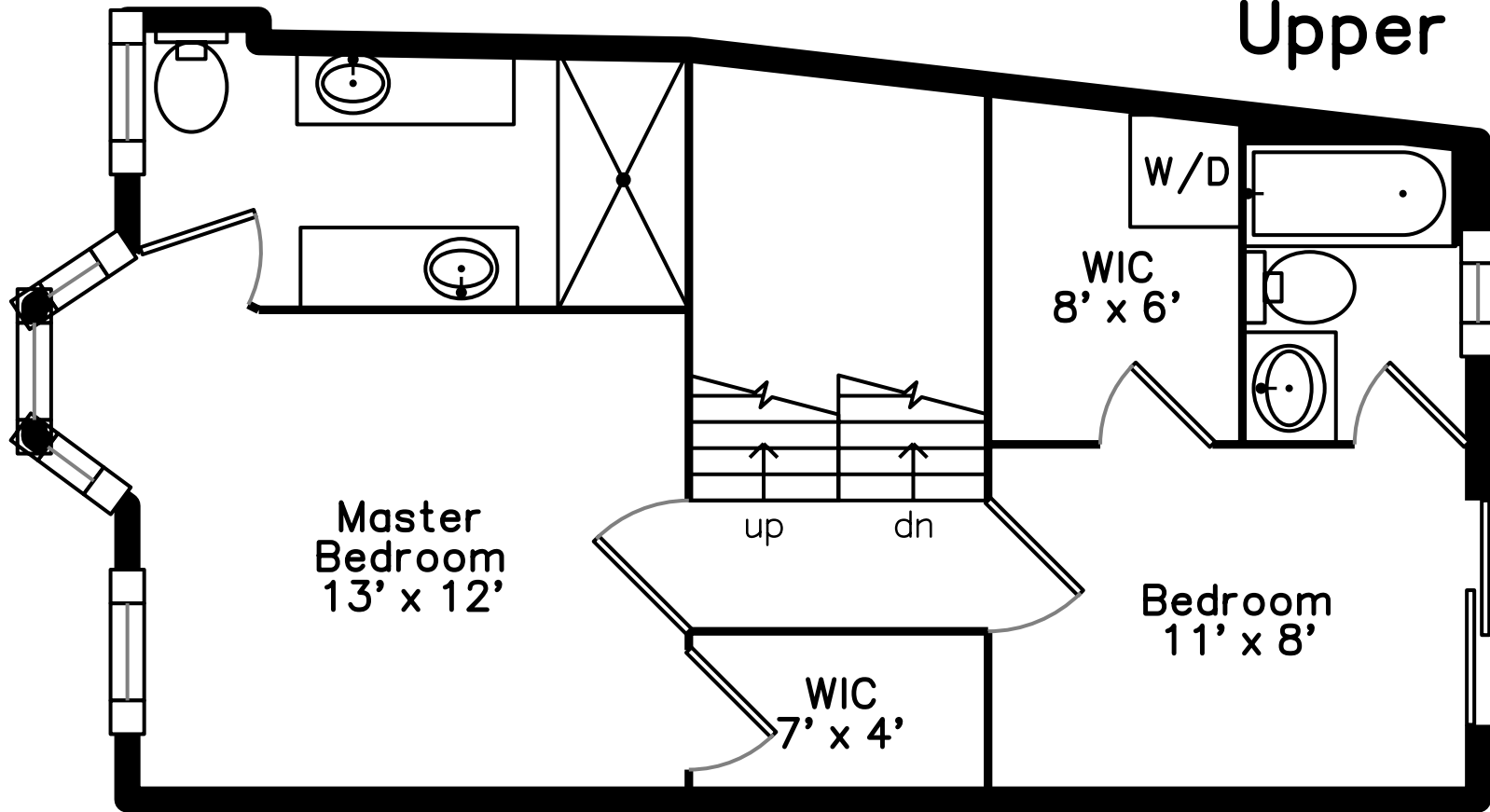


Family Room
17' x 10'

Deck
15' x 9'

dn

Upper



Master
Bedroom
13' x 12'

WIC
8' x 6'

Bedroom
11' x 8'

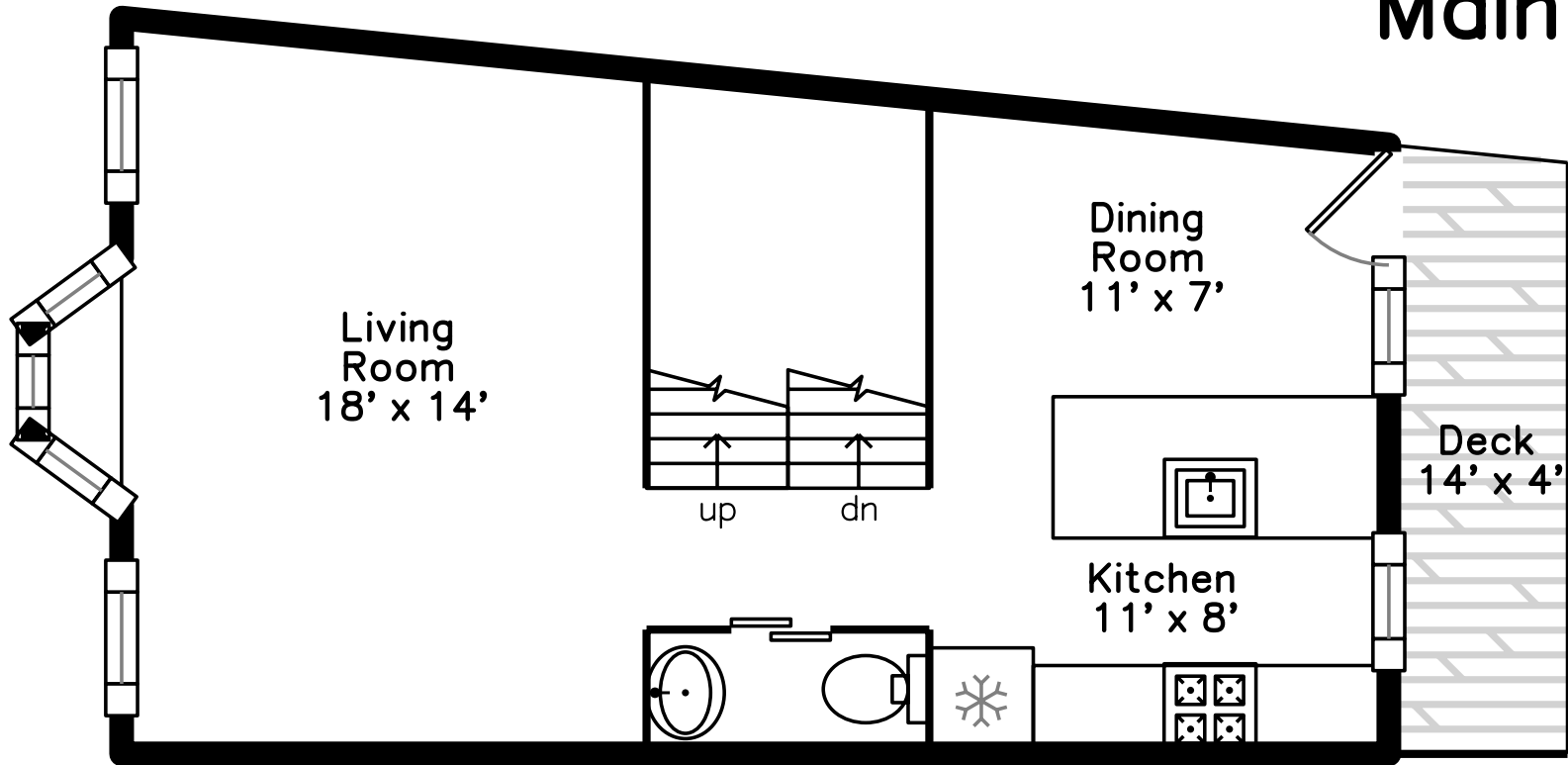
WIC
7' x 4'

up

dn

W/D

Main





Building



Building



Garage



Living Room



Living Room



Dining Room



Kitchen



Kitchen



Kitchen



Kitchen



Kitchen



Hall



Bathroom



Powder Room



Deck



Bedroom



Bedroom



Main Bedroom



Main Bedroom



WalkInCloset



WalkInCloset



Bathroom



Main Bathroom



Main Bathroom



Family Room



Family Room



Family Room



Bathroom



Bathroom



Deck



Deck



Deck